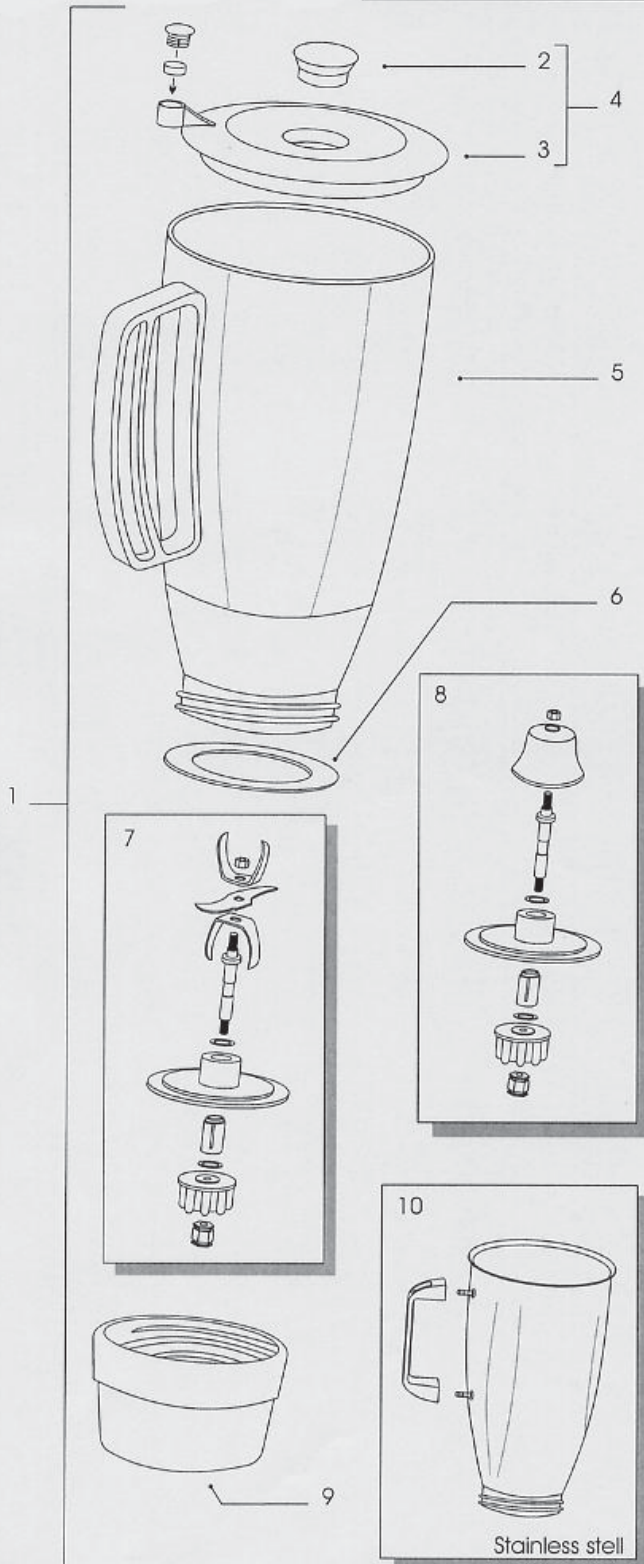


MODEL	EVOLUTION	TABLE	DATE
P100 - P102 /D /V	1	2	01/10/2001



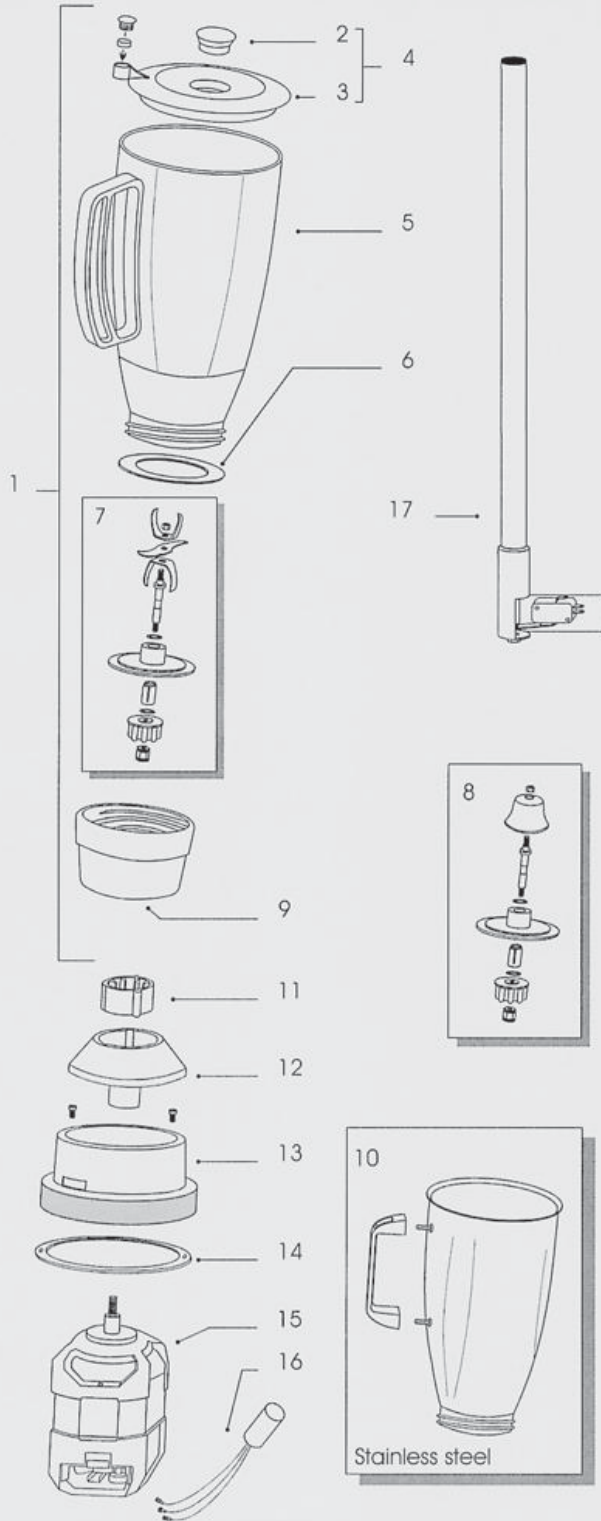
N.	Code	Caratteristiche
----	------	-----------------

1	C0007F342	/B
	C0007F343	/M
	C0004F360	/B (Stainless stell)
	C0004F361	/M (Stainless stell)
2	C0007F317A	
3	C0007F347A	
4	C0007F347	
5	C0007F304	
6	C0007F323	
7	C0007F305	/B
8	C0007F306	/M
9	C0007F321	
10	C0004F350	

Descriptions		
/B	blender	(7)
/M	mixer	(8)

Stainless stell

MODEL	EVOLUTION	TABLE	DATE
P100 CORPETTO	1	B	22/11/2002

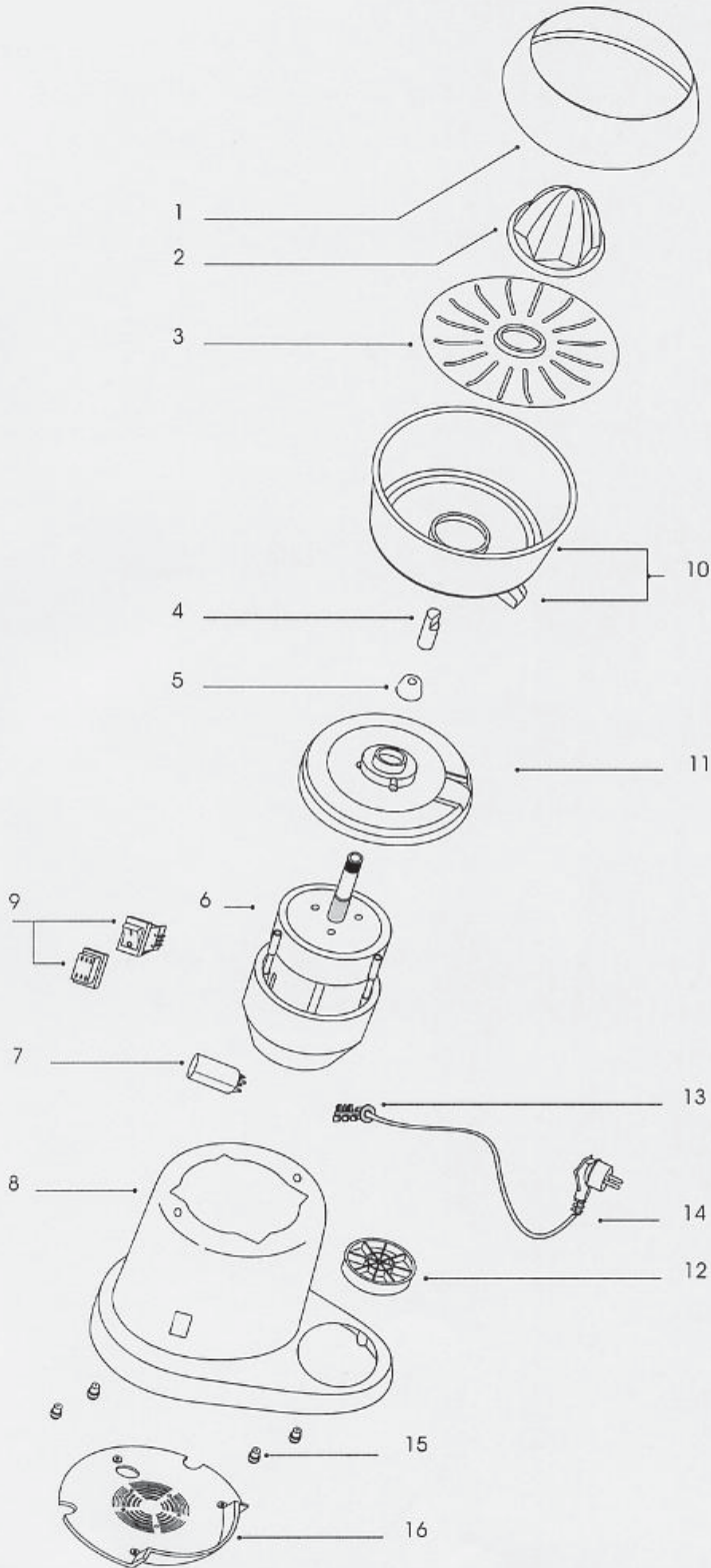


N.	Code	Caratteristiche
----	------	-----------------

1	C0007F342	/B
	C0007F343	/M
	C0004F360	/B /X
	C0004F361	/M /X
2	C0007F317A	
3	C0007F347A	
4	C0007F347	
5	C0007F304	
6	C0007F323	
7	C0007F305	/B
8	C0007F306	/M
9	C0007F321	
10	C0004F350	/X
11	C0007F308	
12	C0007F309	
13	C0003F301	
14	C0007F310	
15	C00061215	230V-50/60Hz
	C000612151	110V-60Hz
16	C00061129	
17	C0004F357	

Descriptions		
/B	blender	(7)
/M	mixer	(8)
/X	stainless steel	

MODEL	EVOLUTION	TABLE	DATE
P200 - P202	2	1	14/03/2002



N.	Code	Caratteristiche
----	------	-----------------

1	C0007S807	
2	C0007S822	
3	C0007S809	
4	C0004S8051	
5	C0004S813	
6	C00061220	230V-50Hz
	C000612201	220V-60Hz
	C000612202	110V-60Hz
7	C00061126	230V-50/60Hz
	C00061109	110V-60Hz
8	C0001S808	P200
	C0001S809	P202
9	C00061021	
10	C0004S818	P200
	C0007S821	P202
11	C0007S801	
12	C0007S820	
13	C00061611	
14	C00061517	230V-50/60Hz
	C000615171	110V-60Hz
15	C00071614	
16	C0007S816	

Descriptions	
P200	stainless steel model
P202	plastic model

