



Client _____ Quantity _____
 Project _____ Position _____

ROC 700

Infrared surface 4 cooking zones, electric static oven

Model: R70/80CFVE

Cod: MP01094123030

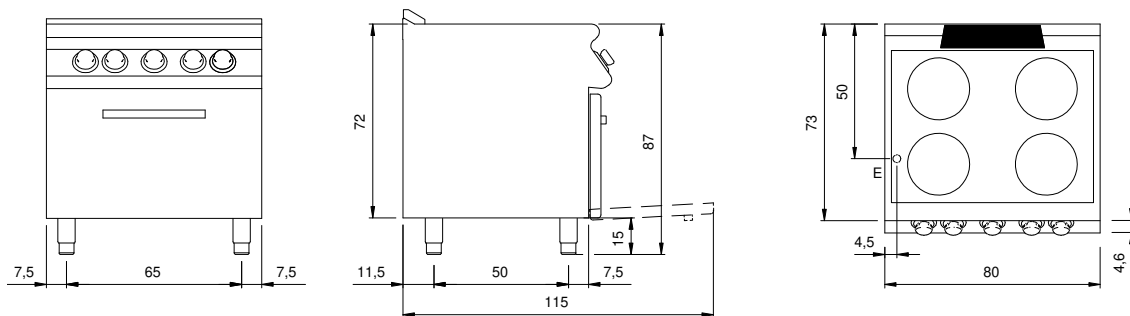
Technical data

Modularity:	Electric oven
Dimension (mm):	800x730x870
Dimensione forno (mm):	555x660x257
Total electric power (kW):	16
Oven type:	Static oven
Oven power (kW):	6
Oven temperature range (°C):	50-300
Electric power (V):	380-415
Ampere (A):	25
Phases:	3N
Cable section (mmq):	5G4
Frequency (Hz):	50-60
Net volume (m3):	0,508
Packing dimensions (mm):	880x856x1109
Gross weight (Kg):	116
Gross volume (m3):	0,835

Features

Working top:	Made of AISI 304 stainless steel with a thickness of 20/10 mm
Knobs:	Made of aluminum with IPX5 water protection
Handles:	The brushed aluminum handles allow for a secure and sturdy grip with ergonomic lines
Flue:	Removable gas exhaust flue grill made of cast iron

Technical draw



E: Electric power