

Client _____ Quantity _____
 Project _____ Position _____



ROC 700

Electric pasta cookers, 1 well 26 liters

Model: R70/40CPE/1V26/P **Cod:** MP01214123001

Technical data

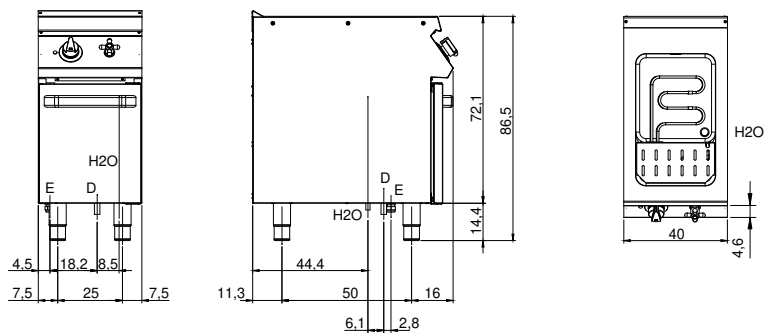
Modularity:	On cabinet with door
Dimension (mm):	400x730x870
Total electric power (kW):	5,6
Nr. Wells:	1
Well litres 1:	26
Well dimensions 1 (mm):	306x342x318
Electric power (V):	380-415
Ampere (A):	9
Phases:	3N
Cable section (mmq):	5G1,5
Frequency (Hz):	50-60
Cold water inflow:	3/4"
Cold water pressure (bar):	Pressione Max 5 bar
Drain size:	1"
Net volume (m3):	0,254
Packing dimensions (mm):	480x856x1075
Gross weight (Kg):	50,6
Gross volume (m3):	0,442

Features

Working top:	Made of AISI 304 stainless steel with a thickness of 20/10 mm
Knobs:	Made of aluminum with IPX5 water protection
Water inflow:	With tap

In order to constantly offer the best possible products we reserve the right to make changes on technical specifications without incurring any obligation for equipment previously or subsequently sold.

Technical draw



E: Electric power

D: Drain for water

H2O: Water inflow 3/4"