



Client \_\_\_\_\_ Quantity \_\_\_\_\_  
 Project \_\_\_\_\_ Position \_\_\_\_\_

## ROC 700

Gas pasta cookers, 2 wells 26+26 liters

**Model:** R70/80CPG/2V26/P     **Cod:** MP01214113002

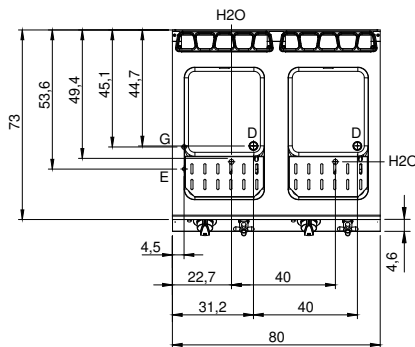
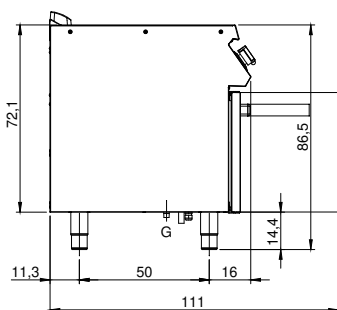
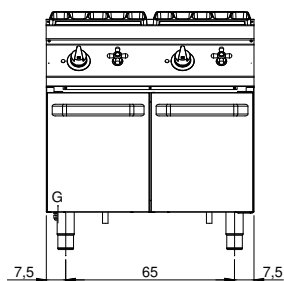
### Technical data

<b>Modularity:</b>	On cabinet with doors
<b>Dimension (mm):</b>	800x730x870
<b>Total electric power (kW):</b>	0,2
<b>Total gas power (Kcal/h):</b>	18057
<b>Total gas power (kW):</b>	21
<b>Nr. Wells:</b>	2
<b>Well litres 1:</b>	26
<b>Well litres 2:</b>	26
<b>Well dimensions 1 (mm):</b>	306x342x318
<b>Well dimensions 2 (mm):</b>	306x342x318
<b>Gas connection:</b>	1/2"
<b>Electric power (V):</b>	220-240
<b>Ampere (A):</b>	1
<b>Phases:</b>	1
<b>Cable section (mmq):</b>	3G1
<b>Frequency (Hz):</b>	50
<b>Cold water inflow:</b>	3/4" + 3/4"
<b>Cold water pressure (bar):</b>	Pressione Max 5 bar
<b>Drain size:</b>	1" + 1"
<b>Net volume (m3):</b>	0,508
<b>Packing dimensions (mm):</b>	880x856x1109
<b>Gross weight (Kg):</b>	96,6
<b>Gross volume (m3):</b>	0,835

### Features

<b>Working top:</b>	Made of AISI 304 stainless steel with a thickness of 20/10 mm
<b>Knobs:</b>	Made of aluminum with IPX5 water protection
<b>Flue:</b>	Removable gas exhaust flue grill made of cast iron
<b>Water inflow:</b>	With tap
<b>Kit Gas:</b>	natural gas conversion kit 30/50 m/bar (tested with natural gas G20)

**Technical draw**



**G:** Gas connection 1/2"

**E:** Electric power

**H2O:** Water inflow 3/4"