



Client _____ Quantity _____
 Project _____ Position _____

ROC 700

Electric pasta cookers, 2 wells 26+26 liters

Model: R70/80CPE/2V26/P **Cod:** MP01214123002

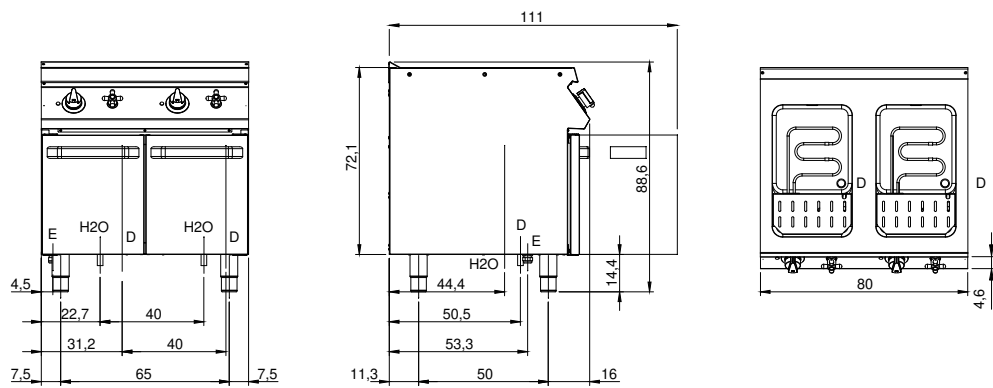
Technical data

Modularity:	On cabinet with doors
Dimension (mm):	800x730x870
Total electric power (kW):	11,2
Nr. Wells:	2
Well litres 1:	26
Well litres 2:	26
Well dimensions 1 (mm):	306x342x318
Well dimensions 2 (mm):	306x342x318
Electric power (V):	380-415
Ampere (A):	17,5
Phases:	3N
Cable section (mmq):	5G2,5
Frequency (Hz):	50-60
Cold water inflow:	3/4" + 3/4"
Cold water pressure (bar):	Pressione Max 5 bar
Drain size:	1" + 1"
Net volume (m3):	0,508
Packing dimensions (mm):	880x856x1109
Gross weight (Kg):	79,6
Gross volume (m3):	0,835

Features

Working top:	Made of AISI 304 stainless steel with a thickness of 20/10 mm
Knobs:	Made of aluminum with IPX5 water protection
Water inflow:	With tap

Technical draw



E: Electric power

D: Drain for water

H2O: Water inflow 3/4"