



Client \_\_\_\_\_ Quantity \_\_\_\_\_  
 Project \_\_\_\_\_ Position \_\_\_\_\_

## ROC 700

Electric boiling pan indirect-heated, 50 liters

**Model:** R70/80PEI/50

**Cod:** MP01534123001

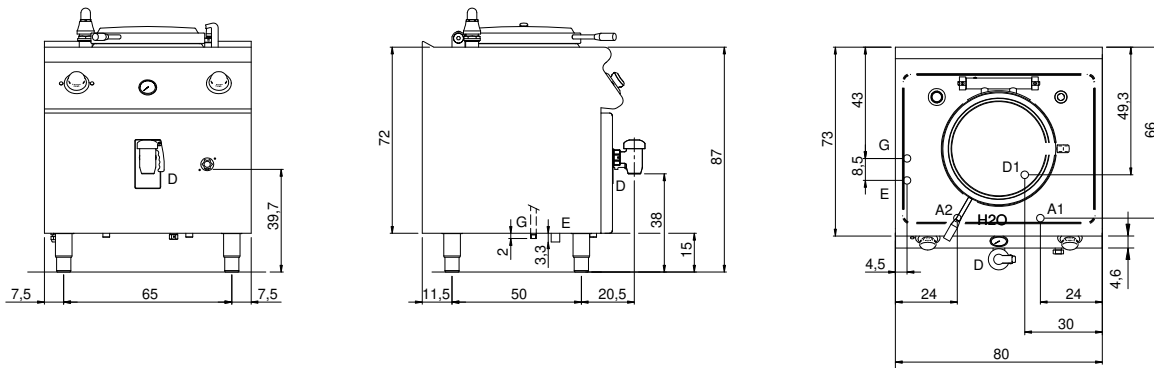
### Technical data

<b>Modularity:</b>	On closed cabinet
<b>Dimension (mm):</b>	800x730x870
<b>Total electric power (kW):</b>	12,3
<b>Nr. Wells:</b>	1
<b>Well litres 1:</b>	50
<b>Well dimensions 1 (mm):</b>	Ø396x445
<b>Electric power (V):</b>	380-415
<b>Ampere (A):</b>	19,5
<b>Phases:</b>	3N
<b>Cable section (mmq):</b>	5G2,5
<b>Frequency (Hz):</b>	50-60
<b>Hot water inflow :</b>	3/4"
<b>Hot water temperature (°C):</b>	40
<b>Hot water pressure (bar):</b>	Pressione Max 5 bar
<b>Cold water inflow:</b>	3/4"
<b>Cold water pressure (bar):</b>	Pressione Max 5 bar
<b>Drain size:</b>	1 1/2"
<b>Net volume (m3):</b>	0,508
<b>Packing dimensions (mm):</b>	880x1026x1109
<b>Gross weight (Kg):</b>	110,5
<b>Gross volume (m3):</b>	1,001

### Features

<b>Working top:</b>	Made of AISI 304 stainless steel with a thickness of 20/10 mm
<b>Type of heating:</b>	Indirect
<b>Knobs:</b>	Made of aluminum with IPX5 water protection
<b>Water inflow:</b>	With solenoid valve

**Technical draw**



**G:** Gas connection 1/2"

**E:** Electric power

**H2O:** Water inflow 3/4"

**A1:** Hot water inflow

**A2:** Cold water inflow

**D:** Drain for water