

Client _____ Quantity _____
Project _____ Position _____**ROC 900**

Gas range pressed worktop, 2 burners, top

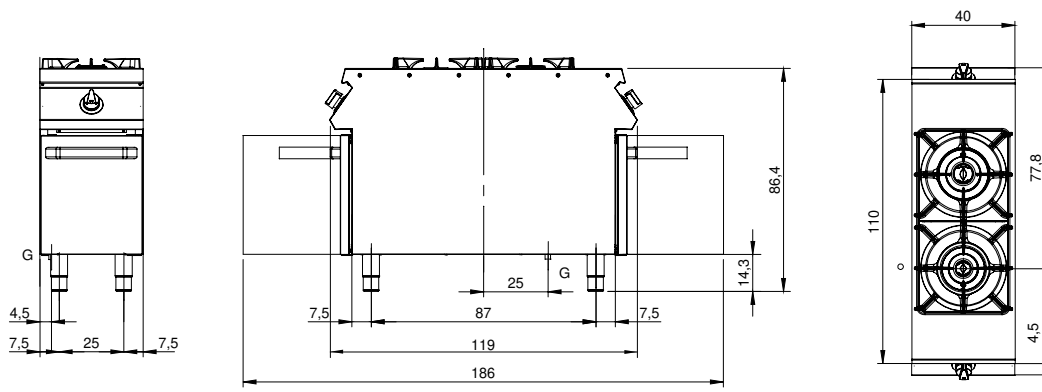
**Model:** R90/40PCG/T**Cod:** MP01014114000**Technical data**

Modularity:	Top
Dimension (mm):	400x900x280 mm
Total gas power (Kcal/h):	13758
Total gas power (kW):	16
Gas connection:	1/2"
Net volume (m3):	0,101
Packing dimensions (mm):	480x1026x475 mm
Gross weight (Kg):	43
Burner power 1 (kW):	6
Burner power 2 (kW):	10
Gross volume (m3):	0,234

Features

Burners:	Single and double crown cast iron burners with brass burner cap
Grill:	For single burner in cast iron or stainless steel (optional) dishwasher safe
Working top:	Pressed top made of AISI 304 stainless steel 20/10 mm thick
Knobs:	Made of aluminum with IPX5 water protection
Flue:	Removable made of cast iron
Kit Gas:	natural gas conversion kit 30/50 m/bar (tested with natural gas G20)

Technical draw



G: Gas connection 1/2"