



Client \_\_\_\_\_ Quantity \_\_\_\_\_  
 Project \_\_\_\_\_ Position \_\_\_\_\_

**FUN 700**

Gas range enamelled containers, 4 burners, on cabinet with doors

**Model:** F70/70PCGB/P

**Cod:** MP01012113006

**Technical data**

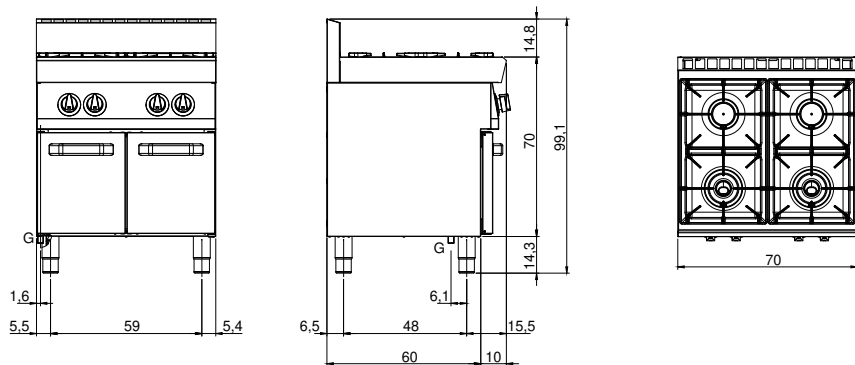
<b>Modularity:</b>	On cabinet with doors
<b>Dimension (mm):</b>	700x700x850 mm
<b>Total gas power (Kcal/h):</b>	15822
<b>Total gas power (kW):</b>	18,4
<b>Gas connection:</b>	1/2"
<b>Net volume (m3):</b>	0,417
<b>Packing dimensions (mm):</b>	776x776x1180 mm
<b>Gross weight (Kg):</b>	68,8
<b>Burner power 1 (kW):</b>	5,5
<b>Burner power 2 (kW):</b>	3,7
<b>Burner power 3 (kW):</b>	5,5
<b>Burner power 4 (kW):</b>	3,7
<b>Gross volume (m3):</b>	0,711

**Features**

<b>Burners:</b>	Double or single crown cast iron version available with a pilot light
<b>Grill:</b>	Cast-iron with brass single- and double-crown burner with pilot
<b>Working top:</b>	Made of AISI 304 stainless steel with a thickness of 10/10 mm and removable enamelled containers
<b>Knobs:</b>	Knobs are made from a sturdy heat-resistant polymer blend and are equipped with liquid anti-leakage washer
<b>Handles:</b>	Brushed aluminum finish
<b>Kit Gas:</b>	natural gas conversion kit 30/50 m/bar (tested with natural gas G20)

In order to constantly offer the best possible products we reserve the right to make changes on technical specifications without incurring any obligation for equipment previously or subsequently sold.

Technical draw



G: Gas connection 1/2"