



Client _____ Quantity _____
Project _____ Position _____

FUN 700

Gas range enamelled containers, 6 burners, on open cabinet

Model: F70/110PCGB/A

Cod: MP01012113001

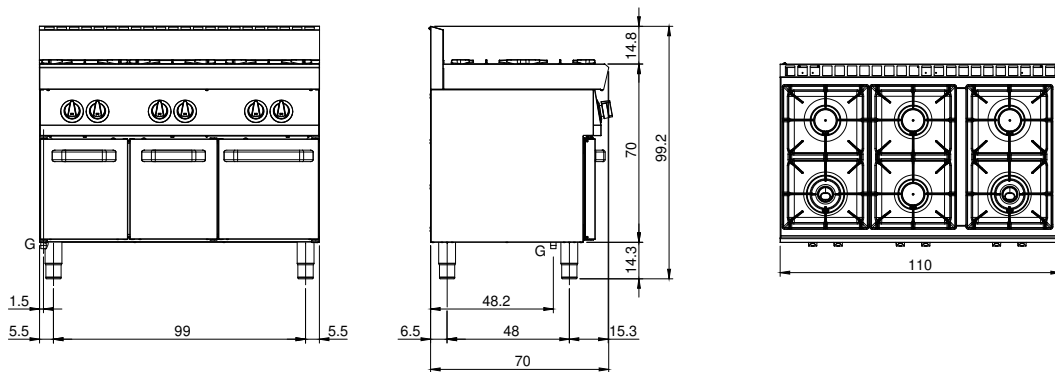
Technical data

Modularity:	On open cabinet
Dimension (mm):	1100x700x850 mm
Total gas power (Kcal/h):	22184
Total gas power (kW):	25,8
Gas connection:	1/2"
Net volume (m3):	0,655
Packing dimensions (mm):	1176x776x1180 mm
Gross weight (Kg):	83
Burner power 1 (kW):	5,5
Burner power 2 (kW):	3,7
Burner power 3 (kW):	3,7
Burner power 4 (kW):	3,7
Gross volume (m3):	1,077

Features

Burners:	Double or single crown cast iron version available with a pilot light
Grill:	Cast-iron with brass single- and double-crown burner with pilot
Working top:	Made of AISI 304 stainless steel with a thickness of 10/10 mm and removable enamelled containers
Knobs:	Knobs are made from a sturdy heat-resistant polymer blend and are equipped with liquid anti-leakage washer
Kit Gas:	natural gas conversion kit 30/50 m/bar (tested with natural gas G20)

Technical draw



G: Gas connection 1/2"