

Client _____ Quantity _____
Project _____ Position _____

ROC 900

Gas solid top, top



Model: R90/80TPG/T

Cod: MP01054114001

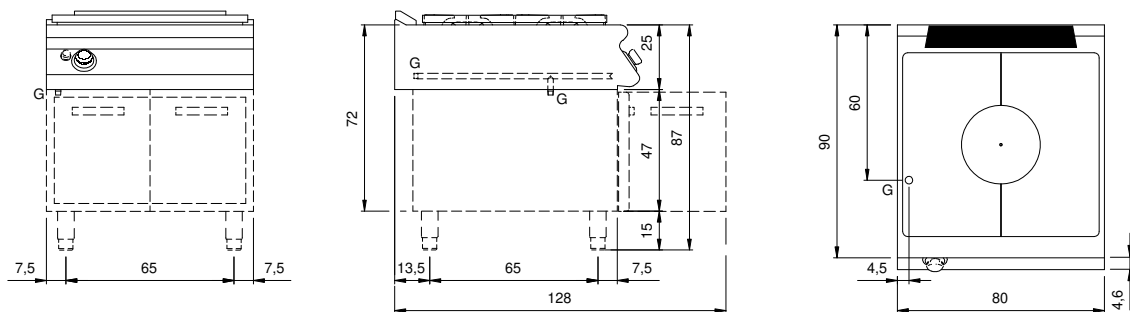
Technical data

Modularity:	Top
Dimension (mm):	800x900x280
Total gas power (Kcal/h):	10319
Total gas power (kW):	12
Whole-plate power gas (kW):	12
Gas connection:	1/2"
Net volume (m3):	0,202
Packing dimensions (mm):	880x1026x509
Gross weight (Kg):	105
Gross volume (m3):	0,460

Features

Working top:	Made of AISI 304 stainless steel with a thickness of 20/10 mm
Knobs:	Made of aluminum with IPX5 water protection
Flue:	Removable made of cast iron
Kit Gas:	natural gas conversion kit 30/50 m/bar (tested with natural gas G20)

Technical draw



G: Gas connection 1/2"