



Client _____ Quantity _____
 Project _____ Position _____

ROC 900

Gas solid top, 2 burners pressed worktop, on open cabinet

Model: R90/80TPPGF/A

Cod: MP01054114007

Technical data

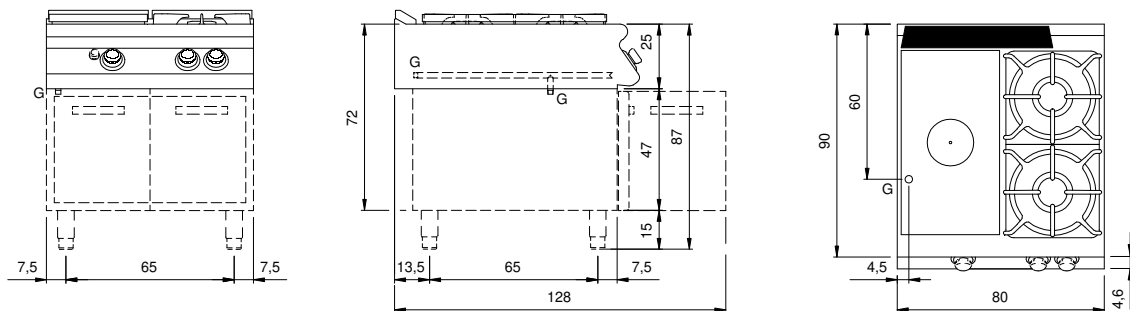
Modularity:	On open cabinet
Dimension (mm):	800x900x870
Total gas power (Kcal/h):	19777
Total gas power (kW):	23
Whole-plate power gas (kW):	7
Gas connection:	1/2"
Net volume (m3):	0,626
Packing dimensions (mm):	880x1026x1109
Gross weight (Kg):	112
Burner power 3 (kW):	6
Burner power 4 (kW):	10
Gross volume (m3):	1,001

Features

Working top:	Made of AISI 304 stainless steel with a thickness of 20/10 mm
Knobs:	Made of aluminum with IPX5 water protection
Flue:	Removable made of cast iron
Kit Gas:	natural gas conversion kit 30/50 m/bar (tested with natural gas G20)

In order to constantly offer the best possible products we reserve the right to make changes on technical specifications without incurring any obligation for equipment previously or subsequently sold.

Technical draw



G: Gas connection 1/2"