



Client \_\_\_\_\_ Quantity \_\_\_\_\_  
 Project \_\_\_\_\_ Position \_\_\_\_\_

**ROC 900**

Gas solid top, 2 burners pressed worktop, on cabinet with doors

**Model:** R90/80TPPGF/P

**Cod:** MP01054114008

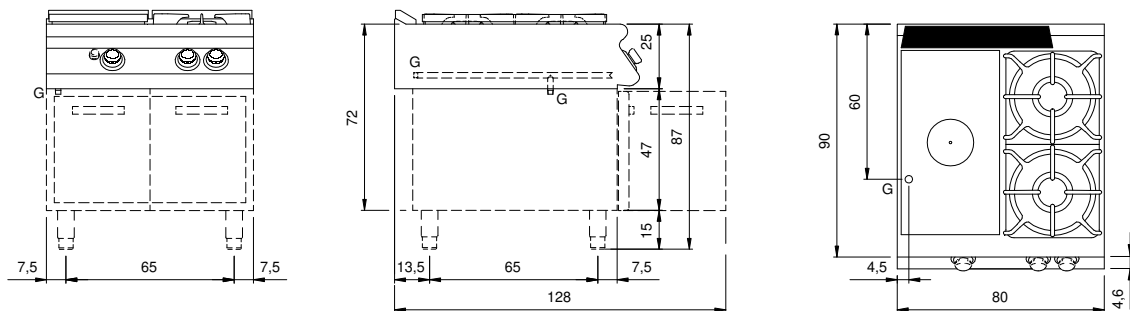
**Technical data**

<b>Modularity:</b>	On cabinet with doors
<b>Dimension (mm):</b>	800x900x870
<b>Total gas power (Kcal/h):</b>	19777
<b>Total gas power (kW):</b>	23
<b>Whole-plate power gas (kW):</b>	7
<b>Gas connection:</b>	1/2"
<b>Net volume (m3):</b>	0,626
<b>Packing dimensions (mm):</b>	880x1026x1109
<b>Gross weight (Kg):</b>	117
<b>Burner power 3 (kW):</b>	6
<b>Burner power 4 (kW):</b>	10
<b>Gross volume (m3):</b>	1,001

**Features**

<b>Working top:</b>	Made of AISI 304 stainless steel with a thickness of 20/10 mm
<b>Knobs:</b>	Made of aluminum with IPX5 water protection
<b>Handles:</b>	The brushed aluminum handles allow for a secure and sturdy grip with a ergonomic lines
<b>Flue:</b>	Removable made of cast iron
<b>Kit Gas:</b>	natural gas conversion kit 30/50 m/bar (tested with natural gas G20)

**Technical draw**



**G:** Gas connection 1/2"