



Client _____ Quantity _____
Project _____ Position _____

FUN 700

Electric griddle, smooth mild steel plate, on open cabinet

Model: F70/40FTE/L/A

Cod: MP01372123001

Market:

Extra UE

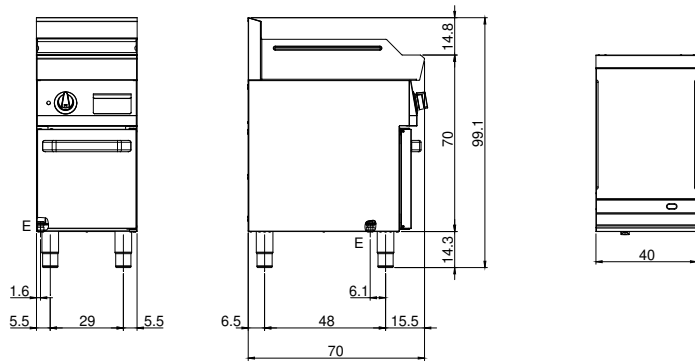
Technical data

| | |
|--|-----------------|
| Modularity: | On open cabinet |
| Dimension (mm): | 400x700x850 mm |
| Total electric power (kW): | 4,5 |
| Cooking zone dimensions 1 (LxD mm): | 396x520 |
| Electric power (V): | 380-415 |
| Ampere (A): | 7 |
| Phases: | 3N |
| Cable section (mmq): | 5G1,5 |
| Frequency (Hz): | 50-60 |
| Net volume (m3): | 0,238 |
| Packing dimensions (mm): | 477x776x1147 mm |
| Gross weight (Kg): | 55 |
| Gross volume (m3): | 0,425 |

Features

| | |
|---------------------------|--|
| Working top: | Realizzato in acciaio inox AISI 304 con spessore 10/10 mm |
| Material of plate: | Iron |
| Plate finish: | Smooth |
| Knobs: | Knobs are made from a sturdy heat-resistant polymer blend and are equipped with liquid anti-leakage washer |
| Plate: | In mild steel |

Technical draw



E: Electric power