



Client _____ Quantity _____
 Project _____ Position _____

FUN 700

Electric griddle, smooth mild steel plate, on cabinet with door

Model: F70/40FTE/L/P

Cod: MP01372123020

Market:

Extra UE

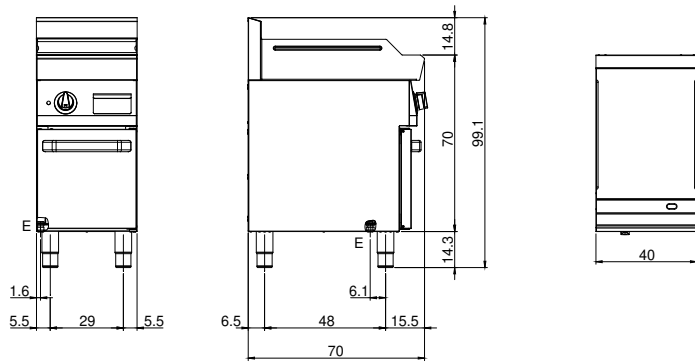
Technical data

Modularity:	On cabinet with door
Dimension (mm):	400x700x850 mm
Total electric power (kW):	4,5
Cooking zone dimensions 1 (LxD mm):	396x520
Electric power (V):	380-415
Ampere (A):	7
Phases:	3N
Cable section (mmq):	5G1,5
Frequency (Hz):	50-60
Net volume (m3):	0,238
Packing dimensions (mm):	477x776x1147 mm
Gross weight (Kg):	58
Gross volume (m3):	0,425

Features

Working top:	Realizzato in acciaio inox AISI 304 con spessore 10/10 mm
Material of plate:	Iron
Plate finish:	Smooth
Knobs:	Knobs are made from a sturdy heat-resistant polymer blend and are equipped with liquid anti-leakage washer
Handles:	Brushed aluminum finish
Plate:	In mild steel

Technical draw



E: Electric power