



Client _____ Quantity _____
 Project _____ Position _____

ROC 900

Gas pasta cookers, 2 wells 40+40 liters

Model: R90/80CPG/2V40/P **Cod:** MP01214114002

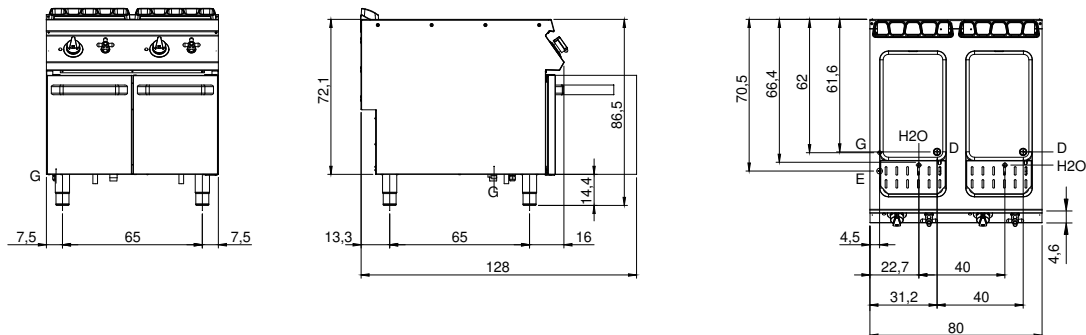
Technical data

Modularity:	On cabinet with doors
Dimension (mm):	800x900x870
Total electric power (kW):	0,2
Total gas power (Kcal/h):	24076
Total gas power (kW):	28
Nr. Wells:	2
Well litres 1:	40
Well litres 2:	40
Well dimensions 1 (mm):	306x508x316
Well dimensions 2 (mm):	306x508x316
Gas connection:	1/2"
Electric power (V):	220-240
Ampere (A):	1
Phases:	1
Cable section (mmq):	3G1
Frequency (Hz):	50
Cold water inflow:	3/4" + 3/4"
Cold water pressure (bar):	Pressione Max 5 bar
Drain size:	1" + 1"
Net volume (m3):	0,626
Packing dimensions (mm):	880x1026x1109
Gross weight (Kg):	119,1
Gross volume (m3):	1,001

Features

Working top:	Made of AISI 304 stainless steel with a thickness of 20/10 mm
Knobs:	Made of aluminum with IPX5 water protection
Flue:	Removable made of cast iron
Water inflow:	With tap
Kit Gas:	natural gas conversion kit 30/50 m/bar (tested with natural gas G20)

Technical draw



G: Gas connection 1/2"

E: Electric power

D: Drain for water

H2O: Water inflow 3/4"