



Client _____ Quantity _____
 Project _____ Position _____

ROC 900

Gas boiling pan indirect-heated, 100 liters

Model: R90/80PGI/100

Cod: MP01534114005

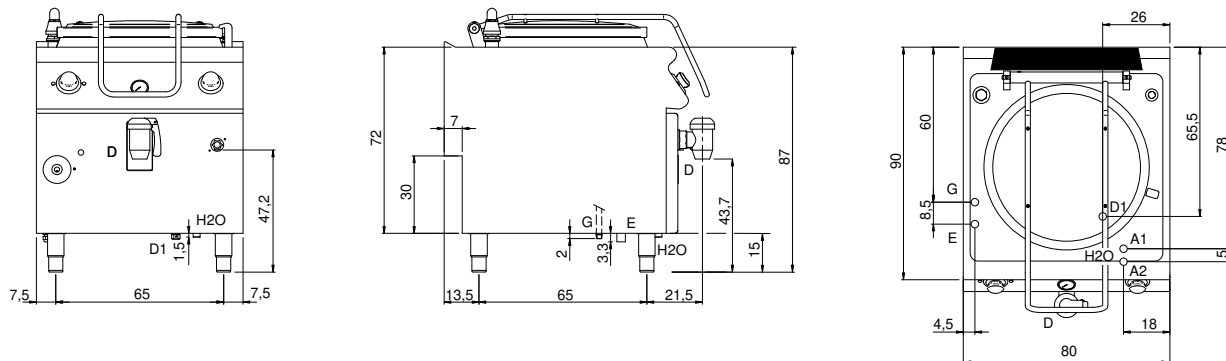
Technical data

Modularity:	On closed cabinet
Dimension (mm):	800x900x870
Total electric power (kW):	0,3
Total gas power (Kcal/h):	18057
Total gas power (kW):	21
Nr. Wells:	1
Well litres 1:	100
Well dimensions 1 (mm):	Ø596x405
Gas connection:	1/2"
Electric power (V):	220-240
Ampere (A):	1,5
Phases:	1
Cable section (mmq):	3G1
Frequency (Hz):	50
Hot water inflow :	3/4"
Hot water temperature (°C):	40
Hot water pressure (bar):	Pressione Max 5 bar
Cold water inflow:	3/4"
Cold water pressure (bar):	Pressione Max 5 bar
Drain size:	2"
Net volume (m3):	0,626
Packing dimensions (mm):	880x1272x1274
Gross weight (Kg):	166,5
Gross volume (m3):	1,426

Features

Working top:	Made of AISI 304 stainless steel with a thickness of 20/10 mm
Type of heating:	Indirect
Knobs:	Made of aluminum with IPX5 water protection
Water inflow:	With solenoid valve
Kit Gas:	natural gas conversion kit 30/50 m/bar (tested with natural gas G20)

Technical draw



G: Gas connection 1/2"

E: Electric power

H2O: Water inflow 3/4"

A1: Hot water inflow

A2: Cold water inflow

D: Drain for water