



Client _____ Quantity _____
Project _____ Position _____

ROC 900

Motorized tilting electric bratt pan, iron well, capacity 80 litres

Model: R90/80BRE/80F/M **Cod:** MP01614124003

Market:

Extra UE

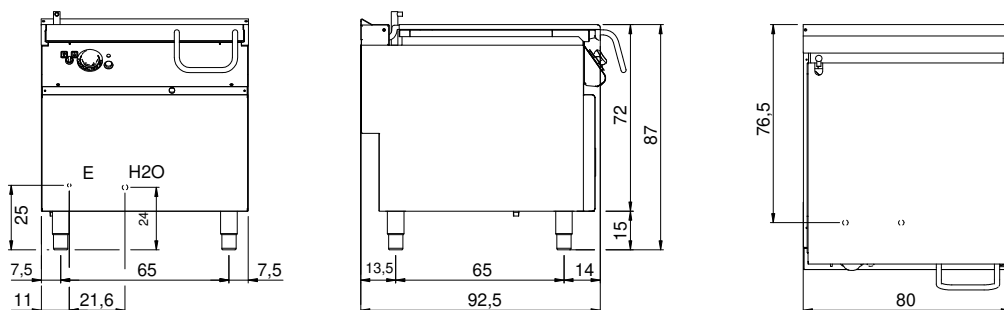
Technical data

Modularity:	On closed cabinet
Dimension (mm):	800x900x870
Total electric power (kW):	15
Cooking zone dimensions 1 (LxD mm):	fondo vasca 680x567
Nr. Wells:	1
Well litres 1:	80
Well dimensions 1 (mm):	680x567x170
Electric power (V):	380-415
Ampere (A):	23
Phases:	3N
Cable section (mmq):	5G4
Frequency (Hz):	50-60
Cold water inflow:	3/4"
Cold water pressure (bar):	Pressione Max 5 bar
Net volume (m3):	0,626
Packing dimensions (mm):	880x1026x1109
Gross weight (Kg):	178
Gross volume (m3):	1,001

Features

Working top:	Made of AISI 304 stainless steel with a thickness of 20/10 mm
Material of plate:	Iron
Plate finish:	Smooth
Tipologia ribaltamento:	Motorizzata
Knobs:	Made of aluminum with IPX5 water protection
Water inflow:	With solenoid valve

Technical draw



E: Electric power

H2O: Water inflow 3/4"