



Client \_\_\_\_\_ Quantity \_\_\_\_\_  
Project \_\_\_\_\_ Position \_\_\_\_\_

## FUN 700

Electric griddle, ribbed chromed plate, on open cabinet

**Model:** F70/40FTE/CR/A

**Cod:** MP01372123007

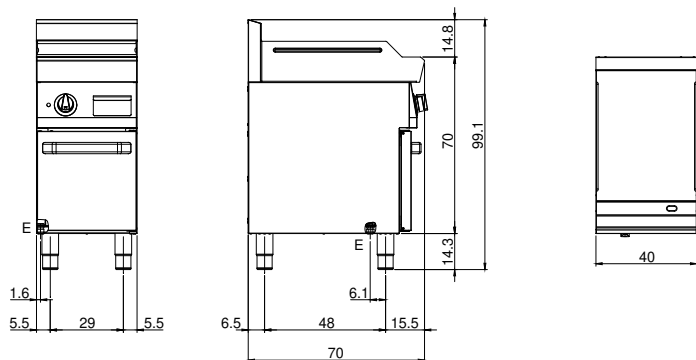
### Technical data

<b>Modularity:</b>	On open cabinet
<b>Dimension (mm):</b>	400x700x850
<b>Total electric power (kW):</b>	4,5
<b>Cooking zone dimensions 1 (LxD mm):</b>	396x520
<b>Electric power (V):</b>	380-415
<b>Ampere (A):</b>	7
<b>Phases:</b>	3N
<b>Cable section (mmq):</b>	5G1,5
<b>Frequency (Hz):</b>	50-60
<b>Net volume (m3):</b>	0,238
<b>Packing dimensions (mm):</b>	477x776x1147
<b>Gross weight (Kg):</b>	57
<b>Gross volume (m3):</b>	0,425

### Features

<b>Working top:</b>	Realizzato in acciaio inox AISI 304 con spessore 10/10 mm
<b>Material of plate:</b>	Chrome
<b>Plate finish:</b>	Ribbed
<b>Knobs:</b>	Knobs are made from a sturdy heat-resistant polymer blend and are equipped with liquid anti-leakage washer
<b>Plate:</b>	Chromed

**Technical draw**



E: Electric power