



Client \_\_\_\_\_ Quantity \_\_\_\_\_  
 Project \_\_\_\_\_ Position \_\_\_\_\_

## ROC 900

Manual tilting gas bratt pan, stainless steel well, capacity 80 litres

**Model:** R90/80BRG/80X/S      **Cod:** MP01614114002

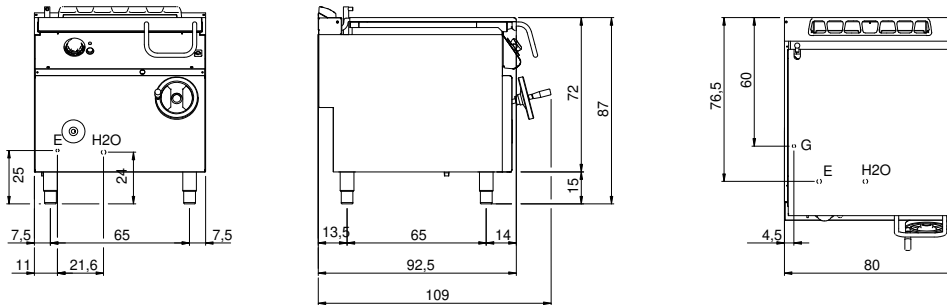
## Technical data

|  |                     |
|--|---------------------|
| <b>Modularity:</b>                         | On closed cabinet   |
| <b>Dimension (mm):</b>                     | 800x900x870         |
| <b>Total electric power (kW):</b>          | 0,2                 |
| <b>Total gas power (Kcal/h):</b>           | 17197               |
| <b>Total gas power (kW):</b>               | 20                  |
| <b>Cooking zone dimensions 1 (LxD mm):</b> | fondo vasca 680x567 |
| <b>Nr. Wells:</b>                          | 1                   |
| <b>Well litres 1:</b>                      | 80                  |
| <b>Well dimensions 1 (mm):</b>             | 680x567x170         |
| <b>Gas connection:</b>                     | 1/2"                |
| <b>Electric power (V):</b>                 | 220-240             |
| <b>Ampere (A):</b>                         | 1,5                 |
| <b>Phases:</b>                             | 1                   |
| <b>Cable section (mmq):</b>                | 3G1                 |
| <b>Frequency (Hz):</b>                     | 50                  |
| <b>Cold water inflow:</b>                  | 3/4"                |
| <b>Cold water pressure (bar):</b>          | Pressione Max 5 bar |
| <b>Net volume (m3):</b>                    | 0,626               |
| <b>Packing dimensions (mm):</b>            | 880x1026x1109       |
| <b>Gross weight (Kg):</b>                  | 169                 |
| <b>Gross volume (m3):</b>                  | 1,001               |

## Features

|                                |  |
|--------------------------------|--|
| <b>Working top:</b>            | Made of AISI 304 stainless steel with a thickness of 20/10 mm        |
| <b>Material of plate:</b>      | Inox   |
| <b>Plate finish:</b>           | Smooth   |
| <b>Tipologia ribaltamento:</b> | Manual input   |
| <b>Knobs:</b>                  | Made of aluminum with IPX5 water protection                          |
| <b>Water inflow:</b>           | With solenoid valve  |
| <b>Kit Gas:</b>                | natural gas conversion kit 30/50 m/bar (tested with natural gas G20) |

Technical draw



**G:** Gas connection 1/2"

**E:** Electric power

**H2O:** Water inflow 3/4"