



Client _____ Quantity _____
Project _____ Position _____

FUN 700

Electric griddle, smooth mild steel plate, on cabinet with doors

Model: F70/70FTE/L/P

Cod: MP01372123024

Market:

Extra UE

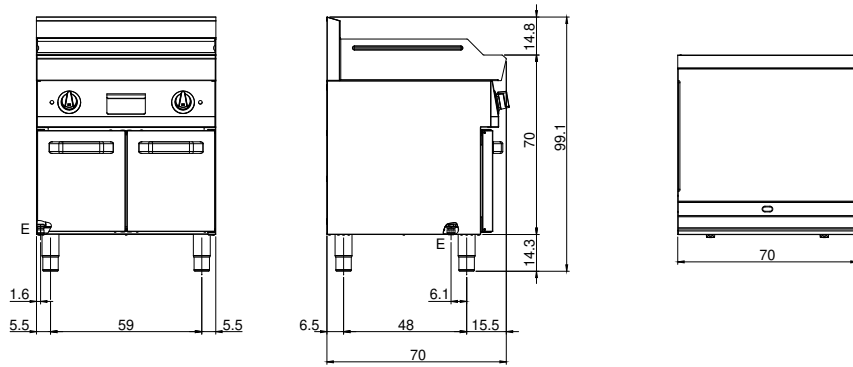
Technical data

Modularity:	On cabinet with doors
Dimension (mm):	700x700x850
Total electric power (kW):	9
Cooking zone dimensions 1 (LxD mm):	696x520
Electric power (V):	380-415
Ampere (A):	14
Phases:	3N
Cable section (mmq):	5G2,5
Frequency (Hz):	50-60
Net volume (m3):	0,417
Packing dimensions (mm):	776x776x1180
Gross weight (Kg):	86
Gross volume (m3):	0,711

Features

Working top:	Realizzato in acciaio inox AISI 304 con spessore 10/10 mm
Material of plate:	Iron
Plate finish:	Smooth
Knobs:	Knobs are made from a sturdy heat-resistant polymer blend and are equipped with liquid anti-leakage washer
Handles:	Brushed aluminum finish
Plate:	In mild steel

Technical draw



E: Electric power