



Client \_\_\_\_\_ Quantity \_\_\_\_\_  
 Project \_\_\_\_\_ Position \_\_\_\_\_

## FUN 700

Gas griddle, smooth mild steel plate, on open cabinet

**Model:** F70/40FTG/L/A

**Cod:** MP01372113001

**Market:**

Extra UE

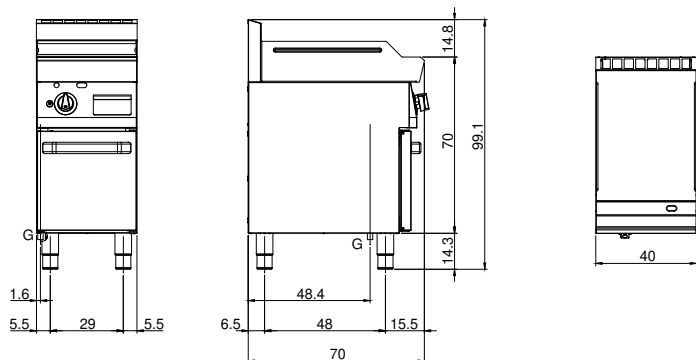
## Technical data

<b>Modularity:</b>	On open cabinet
<b>Dimension (mm):</b>	400x700x850
<b>Total gas power (Kcal/h):</b>	4902
<b>Total gas power (kW):</b>	5,7
<b>Cooking zone dimensions 1 (LxD mm):</b>	396x520
<b>Gas connection:</b>	1/2"
<b>Net volume (m3):</b>	0,238
<b>Packing dimensions (mm):</b>	477x776x1147
<b>Gross weight (Kg):</b>	54
<b>Gross volume (m3):</b>	0,425

## Features

<b>Working top:</b>	Realizzato in acciaio inox AISI 304 con spessore 10/10 mm
<b>Material of plate:</b>	Iron
<b>Plate finish:</b>	Smooth
<b>Knobs:</b>	Knobs are made from a sturdy heat-resistant polymer blend and are equipped with liquid anti-leakage washer
<b>Plate:</b>	In mild steel
<b>Kit Gas:</b>	natural gas conversion kit 30/50 m/bar (tested with natural gas G20)

**Technical draw**



**G:** Gas connection 1/2"