



Client _____ Quantity _____
Project _____ Position _____

FUN 700

Gas griddle, smooth mild steel plate, on cabinet with doors

Model: F70/70FTG/L/P

Cod: MP01372113024

Market:

Extra UE

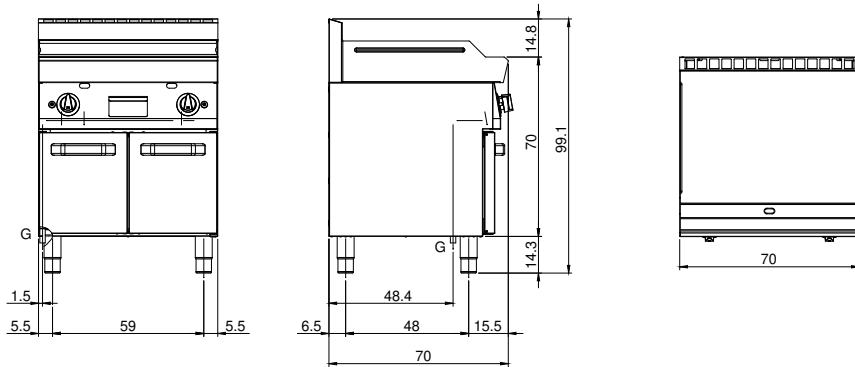
Technical data

Modularity:	On cabinet with doors
Dimension (mm):	700x700x850
Total gas power (Kcal/h):	9803
Total gas power (kW):	11,4
Cooking zone dimensions 1 (LxD mm):	696x520
Gas connection:	1/2"
Net volume (m3):	0,417
Packing dimensions (mm):	776x776x1180
Gross weight (Kg):	87
Gross volume (m3):	0,711

Features

Working top:	Realizzato in acciaio inox AISI 304 con spessore 10/10 mm
Material of plate:	Iron
Plate finish:	Smooth
Knobs:	Knobs are made from a sturdy heat-resistant polymer blend and are equipped with liquid anti-leakage washer
Handles:	Brushed aluminum finish
Plate:	In mild steel
Kit Gas:	natural gas conversion kit 30/50 m/bar (tested with natural gas G20)

Technical draw



G: Gas connection 1/2"