



Client _____ Quantity _____
 Project _____ Position _____

FUN 700

Electric aqua grill, 1 cooking zone in stainless steel

Model: F70/40AGEI

Cod: MP01492123002

Technical data

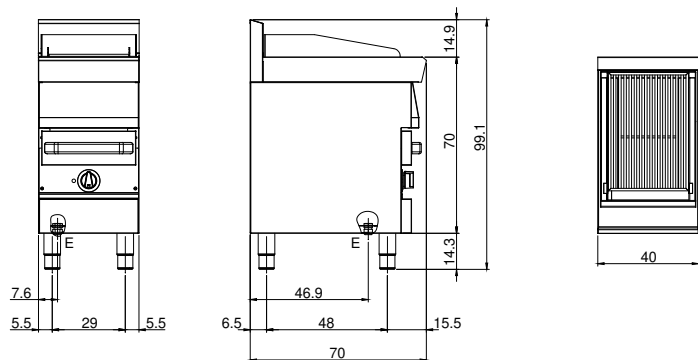
Modularity:	On cabinet with door
Dimension (mm):	400x700x850
Total electric power (kW):	6
Cooking zone dimensions 1 (LxD mm):	n°2 681.083.00 (161x475)
Electric power (V):	380-415
Ampere (A):	9,5
Phases:	3N
Cable section (mmq):	5G1,5
Frequency (Hz):	50-60
Net volume (m3):	0,238
Packing dimensions (mm):	477x776x1147
Gross weight (Kg):	50
Gross volume (m3):	0,425

Features

Grill:	In stainless steel
Working top:	Realizzato in acciaio inox AISI 304 con spessore 10/10 mm
Knobs:	Knobs are made from a sturdy heat-resistant polymer blend and are equipped with liquid anti-leakage washer
Liquid collection container:	In AISI 304 steel, removable
Upright Splash guard:	On three sides

In order to constantly offer the best possible products we reserve the right to make changes on technical specifications without incurring any obligation for equipment previously or subsequently sold.

Technical draw



E: Electric power