



Client _____ Quantity _____
 Project _____ Position _____

FUN 700

Electric aqua grill, 2 cooking zones in stainless steel

Model: F70/80AGEI

Cod: MP01492123003

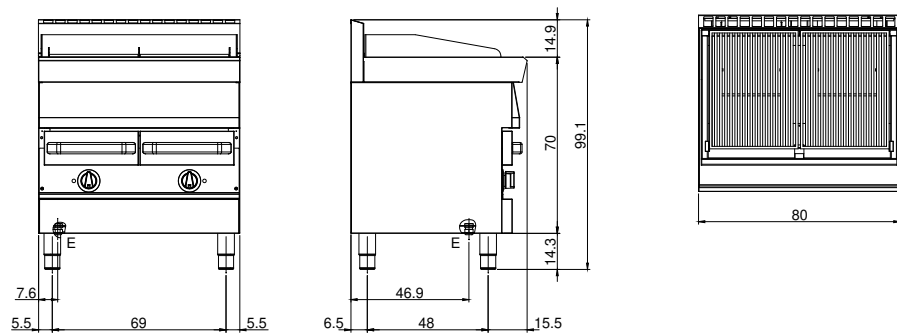
Technical data

Modularity:	On cabinet with door
Dimension (mm):	800x700x850
Total electric power (kW):	12
Cooking zone dimensions 1 (LxD mm):	n°2 681.084.00 (178,5x475)
Cooking zone dimensions 2 (LxD mm):	n°2 681.084.00 (178,5x475)
Electric power (V):	380-415
Ampere (A):	18,5
Phases:	3N
Cable section (mmq):	5G2,5
Frequency (Hz):	50-60
Net volume (m3):	0,48
Packing dimensions (mm):	880x856x1274
Gross weight (Kg):	76
Gross volume (m3):	0,960

Features

Grill:	In stainless steel
Working top:	Realizzato in acciaio inox AISI 304 con spessore 10/10 mm
Knobs:	Knobs are made from a sturdy heat-resistant polymer blend and are equipped with liquid anti-leakage washer
Liquid collection container:	In AISI 304 steel, removable
Upright Splash guard:	On three sides

Technical draw



E: Electric power