



Client _____ Quantity _____
 Project _____ Position _____

FUN 700

Electric boiling pan indirect-heated, 50 liters

Model: F70/70PEI/50

Cod: MP01532123000

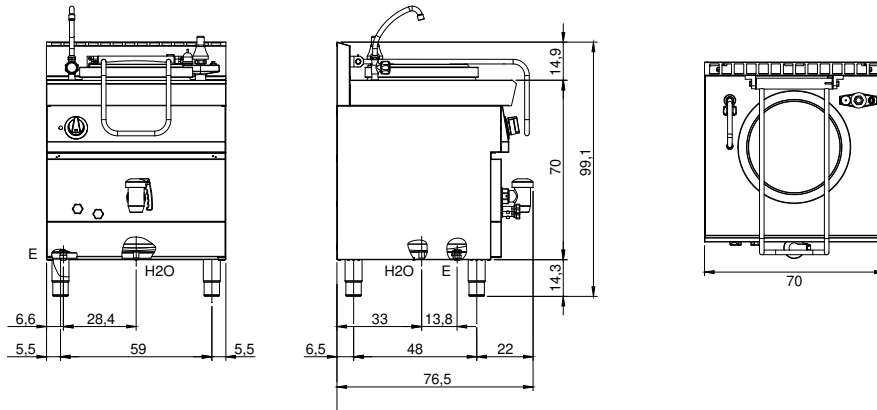
Technical data

Modularity:	On closed cabinet
Dimension (mm):	700x700x850
Total electric power (kW):	12
Nr. Wells:	1
Well litres 1:	50
Well dimensions 1 (mm):	Ø400x475
Electric power (V):	380-415
Ampere (A):	18,5
Phases:	3N
Cable section (mmq):	5G2,5
Frequency (Hz):	50-60
Drain size:	1 1/2"
Net volume (m3):	0,417
Packing dimensions (mm):	880x856x1274
Gross weight (Kg):	79
Gross volume (m3):	0,960

Features

Working top:	Realizzato in acciaio inox AISI 304 con spessore 10/10 mm
Type of heating:	Indirect
Knobs:	Knobs are made from a sturdy heat-resistant polymer blend and are equipped with liquid anti-leakage washer
Water inflow:	With tap positioned on the top

Technical draw



E: Electric power

H2O: Water inflow 3/4"