



Client _____ Quantity _____
Project _____ Position _____

FUN 700

Gas solid top, 2 burners enamelled containers, gas oven

Model: F70/70TPPFGFB

Cod: MP01052113005

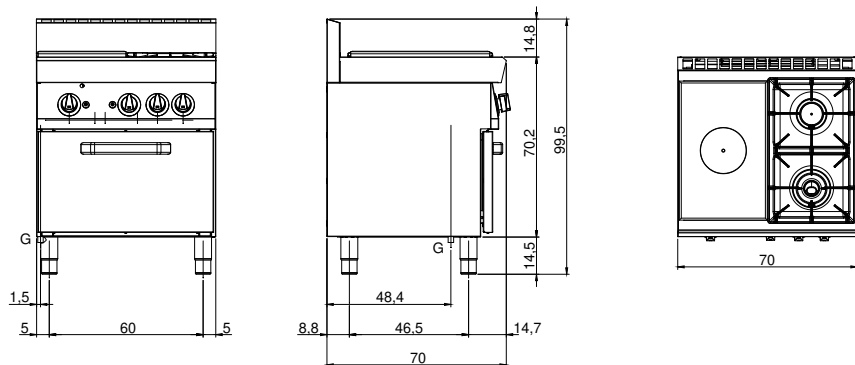
Technical data

Modularity:	Gas oven
Dimension (mm):	700x700x850
Dimensione forno (mm):	555x540x270
Total gas power (Kcal/h):	17369
Total gas power (kW):	20,2
Whole-plate power gas (kW):	5,5
Oven type:	Static oven
Oven power (kW):	5
Oven temperature range (°C):	150-300
Gas connection:	1/2"
Net volume (m3):	0,417
Packing dimensions (mm):	776x776x1180
Gross weight (Kg):	103
Burner power 1 (kW):	5,5
Burner power 2 (kW):	3,7
Gross volume (m3):	0,711

Features

Grill:	Cast-iron with brass single- and double-crown burner with pilot
Working top:	Realizzato in acciaio inox AISI 304 con spessore 10/10 mm
Knobs:	Knobs are made from a sturdy heat-resistant polymer blend and are equipped with liquid anti-leakage washer
Handles:	Brushed aluminum finish
Kit Gas:	natural gas conversion kit 30/50 m/bar (tested with natural gas G20)

Technical draw



G: Gas connection 1/2"