



Client \_\_\_\_\_ Quantity \_\_\_\_\_  
Project \_\_\_\_\_ Position \_\_\_\_\_

## FUN 700

Tuttapietra gas, 4 fuochi bacinelle smaltate, su vano con porte

**Model:** F70/110TPPGFB/P      **Cod:** MP01052113012

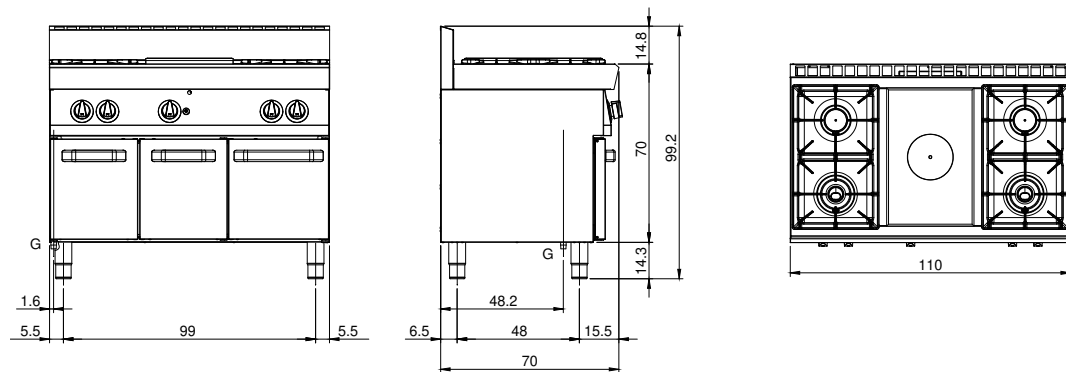
### Technical data

|                                    |                       |
|------------------------------------|-----------------------|
| <b>Modularity:</b>                 | On cabinet with doors |
| <b>Dimension (mm):</b>             | 1100x700x850          |
| <b>Total gas power (Kcal/h):</b>   | 20980                 |
| <b>Total gas power (kW):</b>       | 24,4                  |
| <b>Whole-plate power gas (kW):</b> | 5,5                   |
| <b>Gas connection:</b>             | 1/2"                  |
| <b>Net volume (m3):</b>            | 0,655                 |
| <b>Packing dimensions (mm):</b>    | 1176x776x1180         |
| <b>Gross weight (Kg):</b>          | 93,6                  |
| <b>Burner power 1 (kW):</b>        | 5,5                   |
| <b>Burner power 2 (kW):</b>        | 3,7                   |
| <b>Burner power 3 (kW):</b>        | 5,5                   |
| <b>Burner power 4 (kW):</b>        | 3,7                   |
| <b>Gross volume (m3):</b>          | 1,077                 |

### Features

|                     |  |
|---------------------|--|
| <b>Grill:</b>       | Cast-iron with brass single- and double-crown burner with pilot  |
| <b>Working top:</b> | Realizzato in acciaio inox AISI 304 con spessore 10/10 mm  |
| <b>Knobs:</b>       | Knobs are made from a sturdy heat-resistant polymer blend and are equipped with liquid anti-leakage washer |
| <b>Handles:</b>     | Brushed aluminum finish  |
| <b>Kit Gas:</b>     | natural gas conversion kit 30/50 m/bar (tested with natural gas G20)                                       |

Technical draw



G: Gas connection 1/2"