



Client _____ Quantity _____
 Project _____ Position _____

FUN 700

Electric bain marie, on open cabinet

Model: F70/40BME/A

Cod: MP01252123001

Technical data

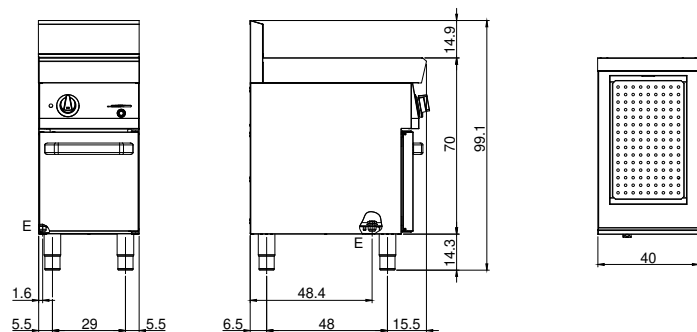
Modularity:	On open cabinet
Dimension (mm):	400x700x850
Total electric power (kW):	1,5
Nr. Wells:	1
Well litres 1:	16
Well dimensions 1 (mm):	305x510x155
Electric power (V):	220-240
Ampere (A):	7
Phases:	1
Cable section (mmq):	3G1,5
Frequency (Hz):	50-60
Drain size:	1/2"
Net volume (m3):	0,238
Packing dimensions (mm):	477x776x1147
Gross weight (Kg):	37
Gross volume (m3):	0,425

Features

Working top:	Realizzato in acciaio inox AISI 304 con spessore 10/10 mm
Knobs:	Knobs are made from a sturdy heat-resistant polymer blend and are equipped with liquid anti-leakage washer
Water inflow:	Manual input

In order to constantly offer the best possible products we reserve the right to make changes on technical specifications without incurring any obligation for equipment previously or subsequently sold.

Technical draw



E: Electric power